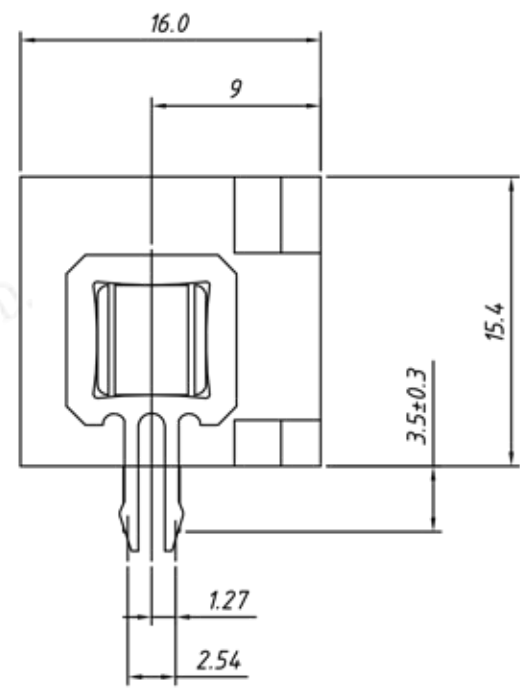
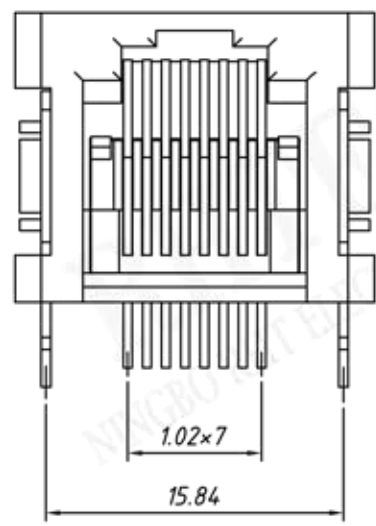


PCB Layout

Material:
 Housing: PBT+Glass Filled Polyester
 Flammability Rating: UL94V-0
 Contacts: Phosphor Bronze $\phi 0.46\text{mm}$
 Plating: Gold Plating
 PEG: Steel, Tin Plating

Electrical:
 Voltage Rating: 125VAC
 Current Rating: 1.5A
 Contact Resistance: $30\text{m}\Omega$ Max.
 Insulation Resistance: $500\text{M}\Omega$ Min.
 Dielectric Strength: 1000VAC Rms 50Hz, 1 Min.
 Durability: 600 cycles Min.
 Operation Temperature: $-40^{\circ}\text{C} \sim +70^{\circ}\text{C}$



Order Information

RE - C - 303 - 8P8C - 1x1 - 1 - 1 - XX - B

Contacts: 8P8C
 Peg Code: 1-With IRON PEG
 Insert Angle: 1-90°(Right angle)
 Plating Code:
 01-Fu" Gold Plating
 02-3u" Gold Plating
 03-6u" Gold Plating
 04-15u" Gold Plating
 05-30u" Gold Plating
 Color Code: B-Black
 G-Gray

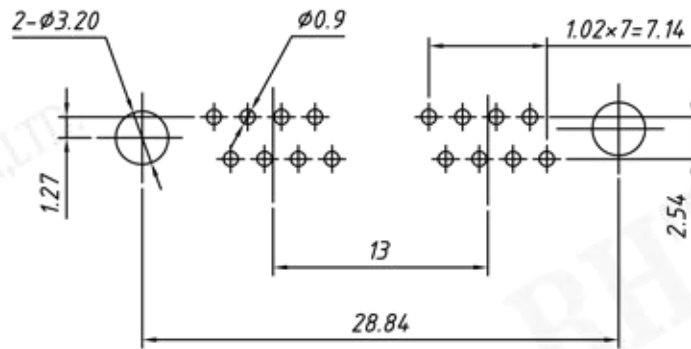
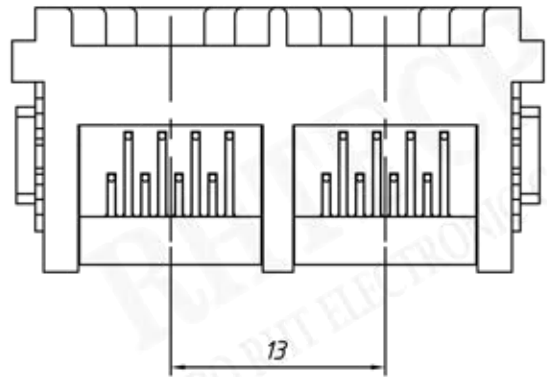


NINGBO RHT ELECTRONIC CO.,LTD

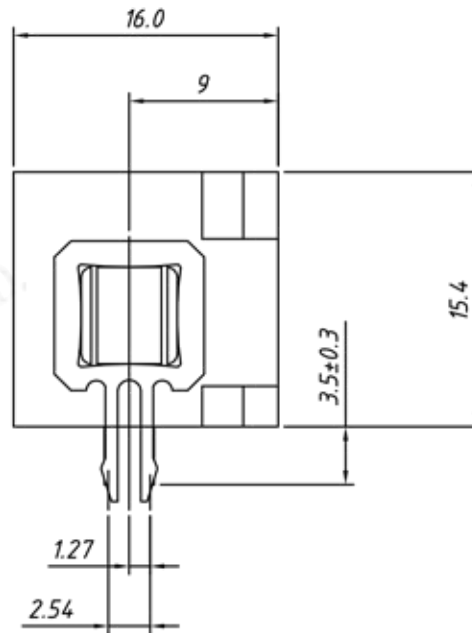
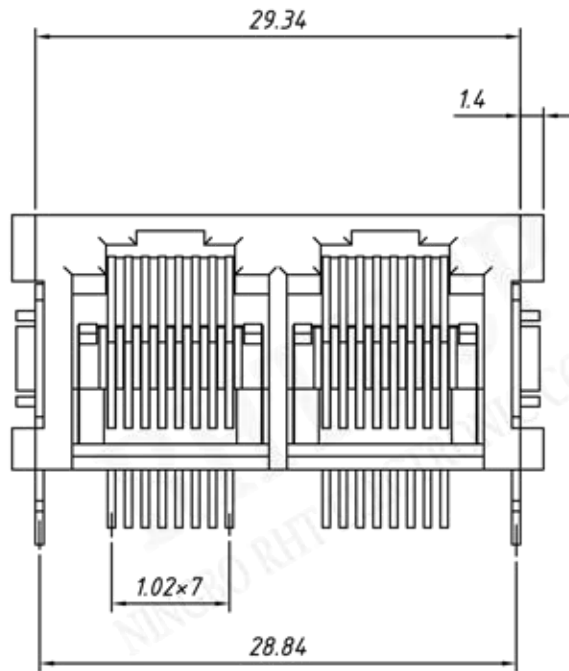
UNITS:mm	SHEET SIZE:A4		SCALE:---
>0~3	>3~18	>18~50	>50~120
±0.12	±0.15	±0.3	±0.5

RE - C - 303 - 8P8C - 1x1 - 1 - 1 - XX - B

CONNECTORS



PCB Layout



Material:

Housing: PBT+Glass Filled Polyester
 Flammability Rating: UL 94V-0
 Contacts: Phosphor Bronze $\phi 0.46\text{mm}$
 Plating: Gold Plating
 PEG: Steel, Tin Plating

Electrical:

Voltage Rating: 125VAC
 Current Rating: 1.5A
 Contact Resistance: $30\text{m}\Omega$ Max.
 Insulation Resistance: $500\text{M}\Omega$ Min.
 Dielectric Strength: 1000VAC Rms 50Hz, 1 Min.
 Durability: 600 cycles Min.
 Operation Temperature: $-40^{\circ}\text{C} \sim +70^{\circ}\text{C}$

Order Information

RE - C - 303 - 8P8C - 1x2 - 1 - 1 - XX - B

Contacts: 8P8C

Peg Code: 1-With IRON PEG

Insert Angle: $1-90^{\circ}$ (Right angle)

Plating Code:

01-Fu" Gold Plating

02-3u" Gold Plating

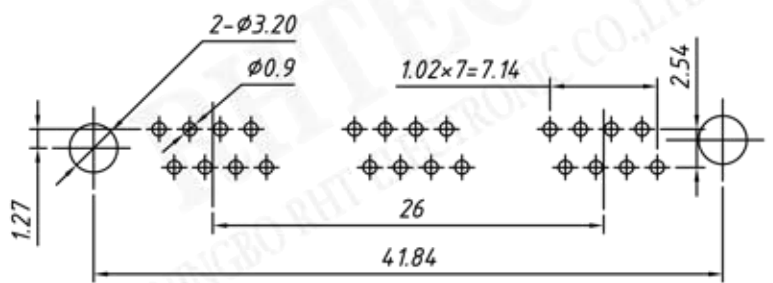
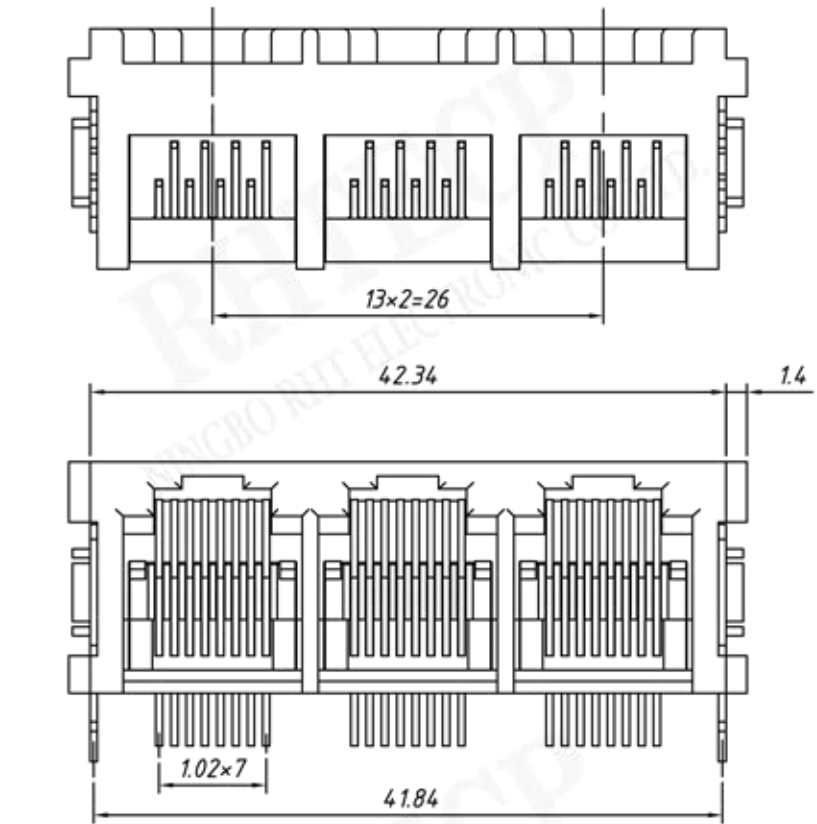
03-6u" Gold Plating

04-15u" Gold Plating

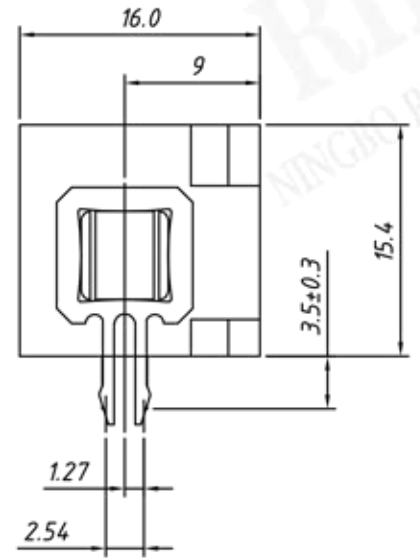
05-30u" Gold Plating

Color Code: B-Black

G-Gray



PCB Layout



Material:
Housing: PBT+Glass Filled Polyester
Flammability Rating: UL94V-0
Contacts: Phosphor Bronze $\phi 0.46\text{mm}$
Plating: Gold Plating
PEG: Steel, Tin Plating

Electrical:
Voltage Rating: 125VAC
Current Rating: 1.5A
Contact Resistance: 30m Ω Max.
Insulation Resistance: 500M Ω Min.
Dielectric Strength: 1000VAC Rms 50Hz, 1 Min.
Durability: 600 cycles Min.
Operation Temperature: -40°C ~ +70°C

Order Information

RE - C - 303 - 8P8C - 1x3 - 1 - 1 - XX - B

Contacts: 8P8C
Peg Code: 1-With IRON PEG
Insert Angle: 1-90°(Right angle)
Plating Code:
 01-Fu" Gold Plating
 02-3u" Gold Plating
 03-6u" Gold Plating
 04-15u" Gold Plating
 05-30u" Gold Plating
Color Code: B-Black
 G-Gray

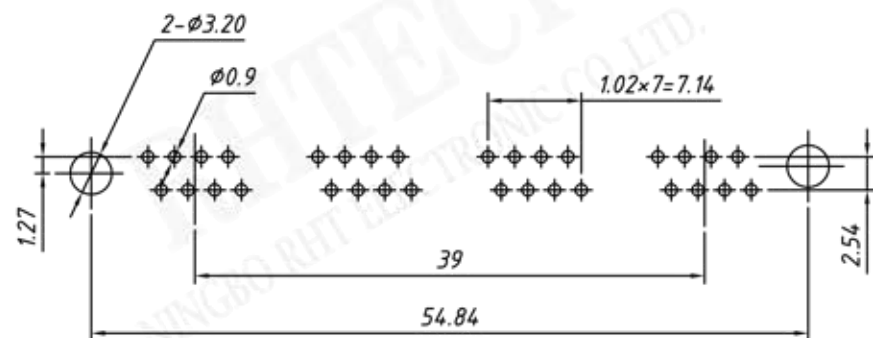
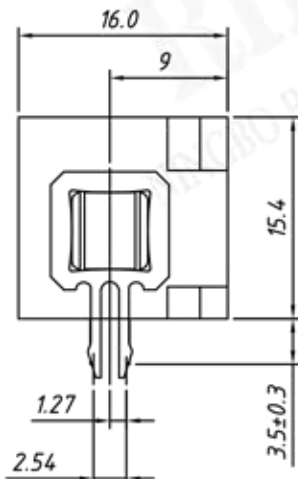
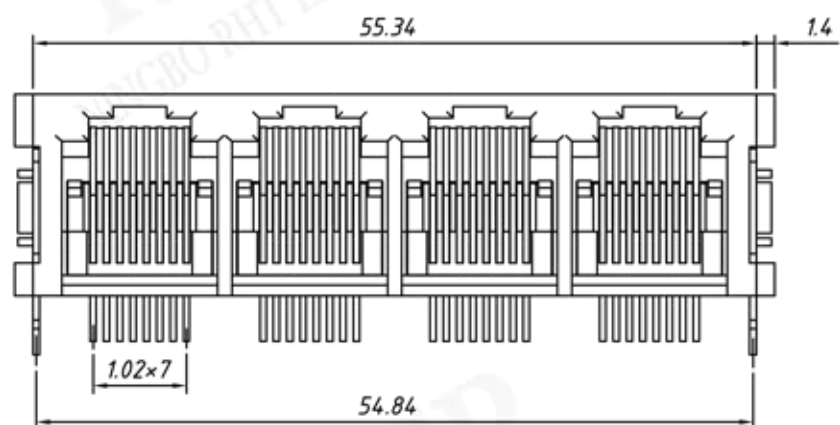
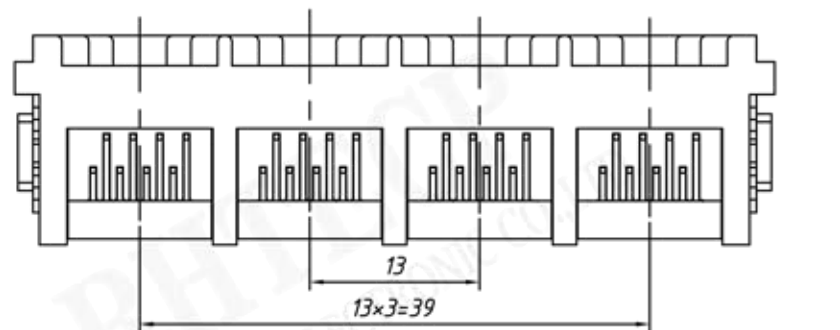


NINGBO RHT ELECTRONIC CO.,LTD

UNITS:mm	SHEET SIZE:A4		SCALE:---
>0~3	>3~18	>18~50	>50~120
±0.12	±0.15	±0.3	±0.5

RE - C - 303 - 8P8C - 1x3 - 1 - 1 - XX - B

CONNECTORS



PCB Layout

Material:
Housing: PBT+Glass Filled Polyester
Flammability Rating: UL94V-0
Contacts: Phosphor Bronze $\phi 0.46\text{mm}$
Plating: Gold Plating
PEG: Steel, Tin Plating

Electrical:
Voltage Rating: 125VAC
Current Rating: 1.5A
Contact Resistance: 30m Ω Max.
Insulation Resistance: 500M Ω Min.
Dielectric Strength: 1000VAC Rms
 50Hz, 1 Min.
Durability: 600 cycles Min.
Operation Temperature: -40°C ~ +70°C

Order Information

RE - C - 303 - 8P8C - 1x4 - 1 - 1 - XX - B

Contacts: 8P8C
Peg Code: 1-With IRON PEG
Insert Angle: 1-90°(Right angle)
Plating Code:
 01-Fu" Gold Plating
 02-3u" Gold Plating
 03-6u" Gold Plating
 04-15u" Gold Plating
 05-30u" Gold Plating
Color Code: B-Black
 G-Gray

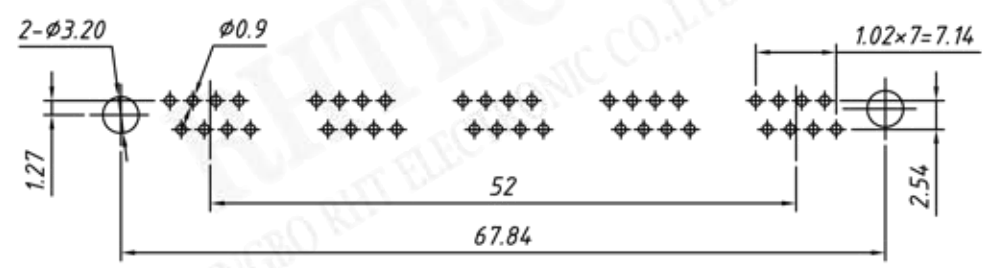
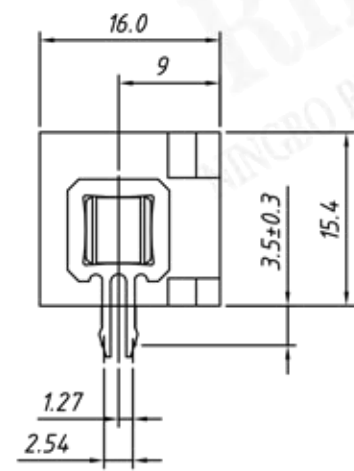
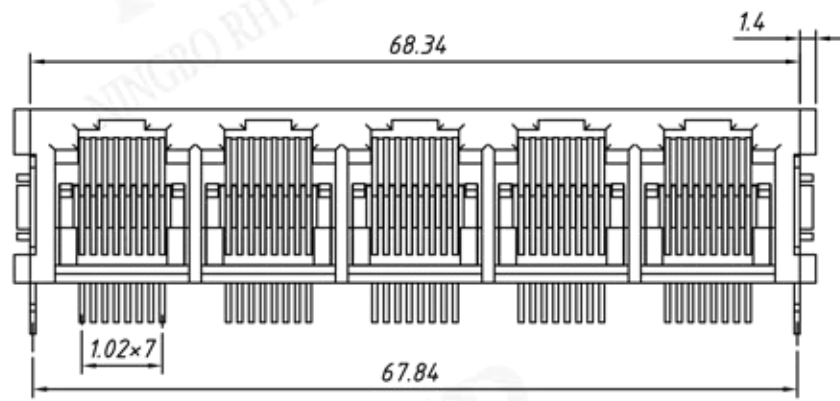
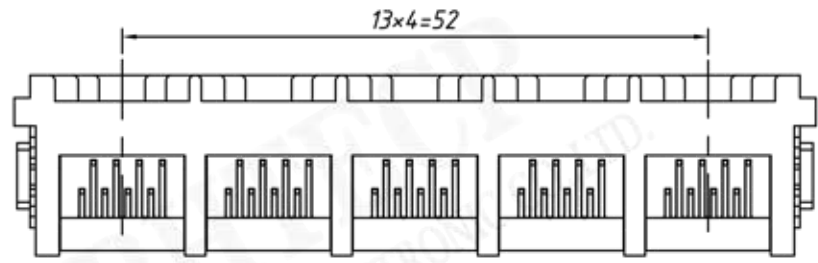


NINGBO RHT ELECTRONIC CO.,LTD

UNITS:mm	SHEET SIZE:A4		SCALE:---
>0~3	>3~18	>18~50	>50~120
±0.12	±0.15	±0.3	±0.5

RE - C - 303 - 8P8C - 1x4 - 1 - 1 - XX - B

CONNECTORS



PCB Layout

Material:
 Housing: PBT+Glass Filled Polyester
 Flammability Rating : UL94V-0
 Contacts: Phosphor Bronze $\phi 0.46\text{mm}$
 Plating: Gold Plating
 PEG: Steel, Tin Plating

Electrical:
 Voltage Rating: 125VAC
 Current Rating: 1.5A
 Contact Resistance: $30\text{m}\Omega$ Max.
 Insulation Resistance: $500\text{M}\Omega$ Min.
 Dielectric Strength: 1000VAC Rms 50Hz, 1 Min.
 Durability: 600 cycles Min.
 Operation Temperature: $-40^{\circ}\text{C} \sim +70^{\circ}\text{C}$

Order Information
 RE - C - 303 - 8P8C - 1x5 - 1 - 1 - XX - B

Contacts: 8P8C
 Peg Code: 1-With IRON PEG
 Insert Angle: $1-90^{\circ}$ (Right angle)
 Plating Code:
 01-Fu" Gold Plating
 02-3u" Gold Plating
 03-6u" Gold Plating
 04-15u" Gold Plating
 05-30u" Gold Plating
 Color Code: B-Black
 G-Gray

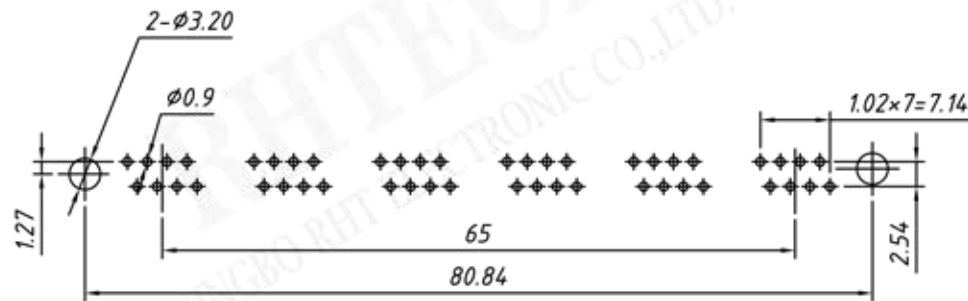
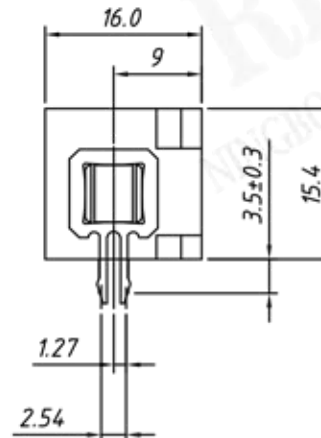
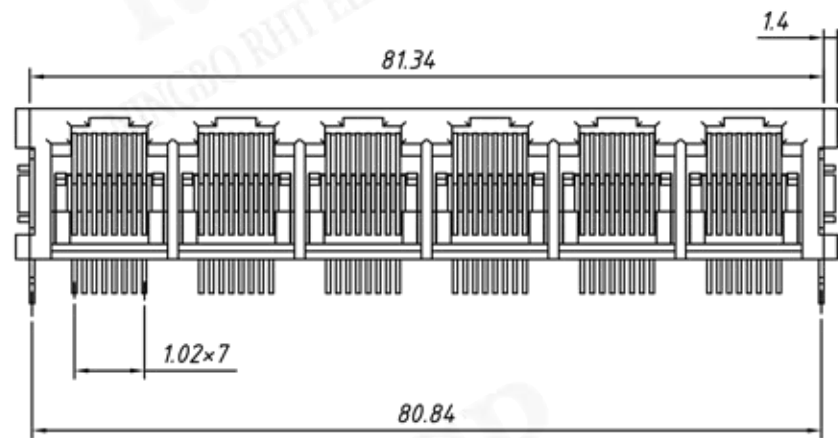
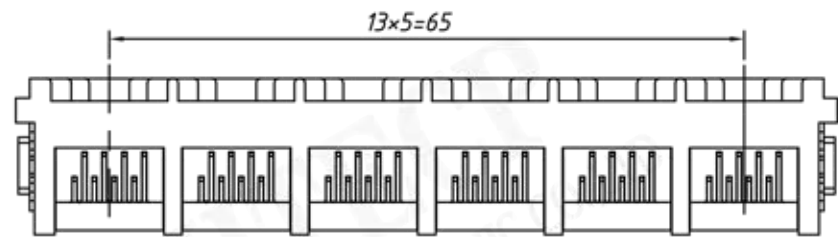


NINGBO RHT ELECTRONIC CO.,LTD

UNITS:mm	SHEET SIZE:A4	SCALE:---
>0~3	>3~18	>18~50
± 0.12	± 0.15	± 0.3

RE - C - 303 - 8P8C - 1x5 - 1 - 1 - XX - B

CONNECTORS



PCB Layout

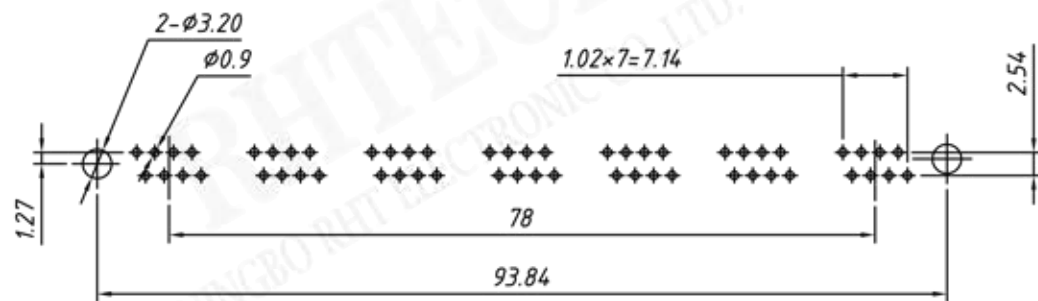
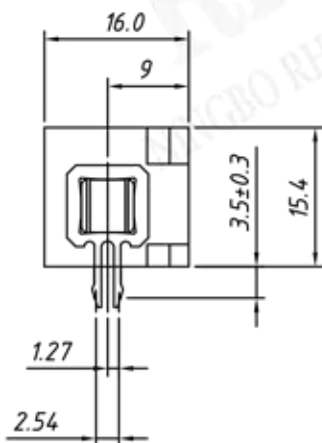
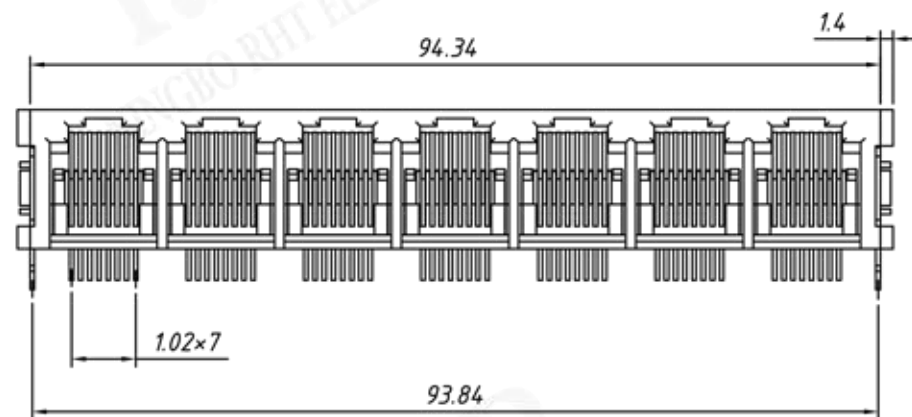
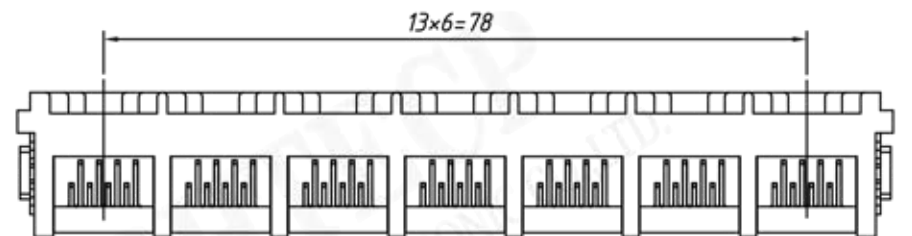
Material:
Housing: PBT+Glass Filled Polyester
Flammability Rating: UL 94V-0
Contacts: Phosphor Bronze $\phi 0.46\text{mm}$
Plating: Gold Plating
PEG: Steel, Tin Plating

Electrical:
Voltage Rating: 125VAC
Current Rating: 1.5A
Contact Resistance: 30m Ω Max.
Insulation Resistance: 500M Ω Min.
Dielectric Strength: 1000VAC Rms 50Hz, 1 Min.
Durability: 600 cycles Min.
Operation Temperature: -40°C ~ +70°C

Order Information

RE - C - 303 - 8P8C - 1x6 - 1 - 1 - XX - B

Contacts: 8P8C
Peg Code: 1-With IRON PEG
Insert Angle: 1-90°(Right angle)
Plating Code:
 01-Fu" Gold Plating
 02-3u" Gold Plating
 03-6u" Gold Plating
 04-15u" Gold Plating
 05-30u" Gold Plating
Color Code: B-Black
 G-Gray



PCB Layout

Material:

Housing: PBT+Glass Filled Polyester

Flammability Rating: UL94V-0

Contacts: Phosphor Bronze $\phi 0.46\text{mm}$

Plating: Gold Plating

PEG: Steel, Tin Plating

Electrical:

Voltage Rating: 125VAC

Current Rating: 1.5A

Contact Resistance: $30\text{m}\Omega$ Max.

Insulation Resistance: $500\text{M}\Omega$ Min.

Dielectric Strength: 1000VAC Rms 50Hz, 1 Min.

Durability: 600 cycles Min.

Operation Temperature: $-40^{\circ}\text{C} \sim +70^{\circ}\text{C}$

Order Information

RE - C - 303 - 8P8C - 1x7 - 1 - 1 - XX - B

Contacts: 8P8C

Peg Code: 1-With IRON PEG

Insert Angle: 1-90°(Right angle)

Plating Code:

01-Fu" Gold Plating

02-3u" Gold Plating

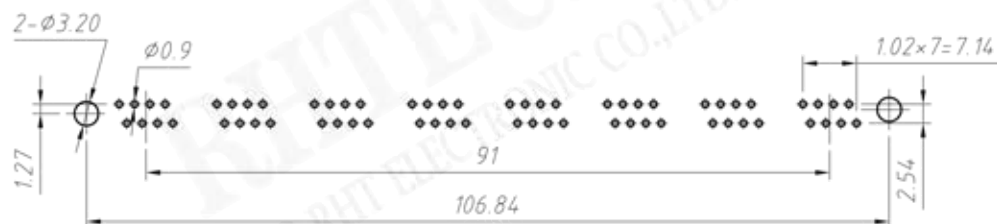
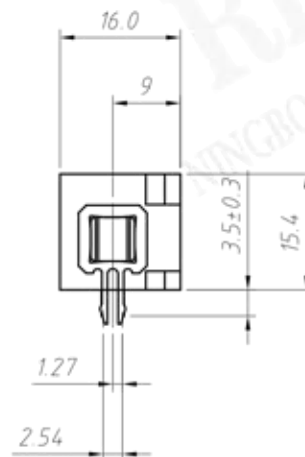
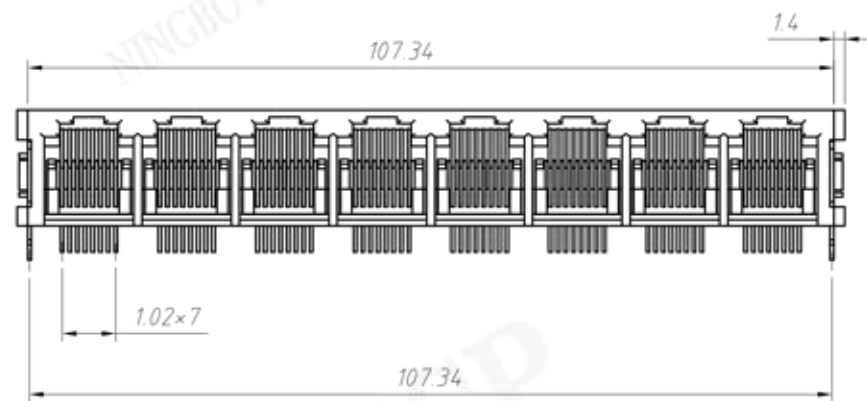
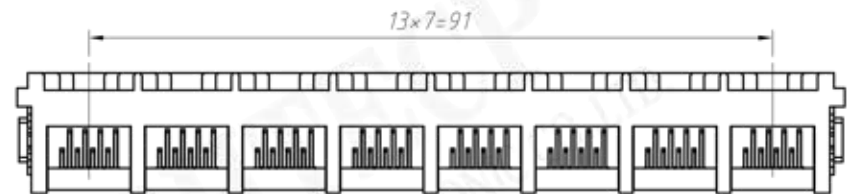
03-6u" Gold Plating

04-15u" Gold Plating

05-30u" Gold Plating

Color Code: B-Black

G-Gray



PCB Layout

Material:

Housing: PBT+Glass Filled Polyester
 Flammability Rating: UL94V-0
 Contacts: Phosphor Bronze $\phi 0.46\text{mm}$
 Plating: Gold Plating
 PEG: Steel, Tin Plating

Electrical:

Voltage Rating: 125VAC
 Current Rating: 1.5A
 Contact Resistance: $30\text{m}\Omega$ Max.
 Insulation Resistance: $500\text{M}\Omega$ Min.
 Dielectric Strength: $1000\text{VAC Rms } 50\text{Hz, } 1\text{ Min.}$
 Durability: 600 cycles Min.
 Operation Temperature: $-40^{\circ}\text{C} \sim +70^{\circ}\text{C}$

Order Information

RE - C - 303 - 8P8C - 1x8 - 1 - 1 - XX - B

Contacts: 8P8C

Peg Code: 1-With IRON PEG

Insert Angle: $1-90^{\circ}$ (Right angle)

Plating Code:

01-Fu" Gold Plating

02-3u" Gold Plating

03-6u" Gold Plating

04-15u" Gold Plating

05-30u" Gold Plating

Color Code: B-Black

G-Gray